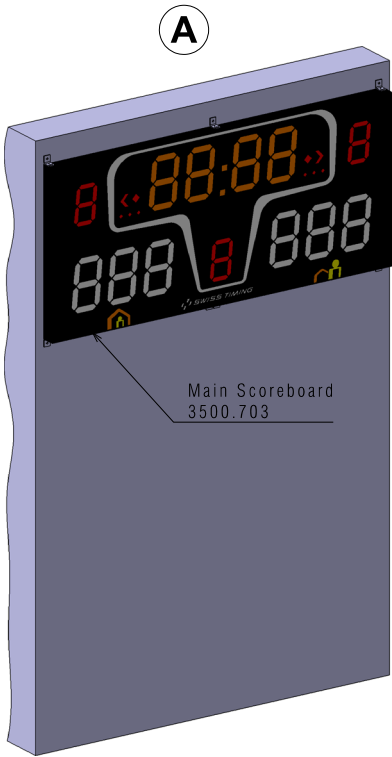
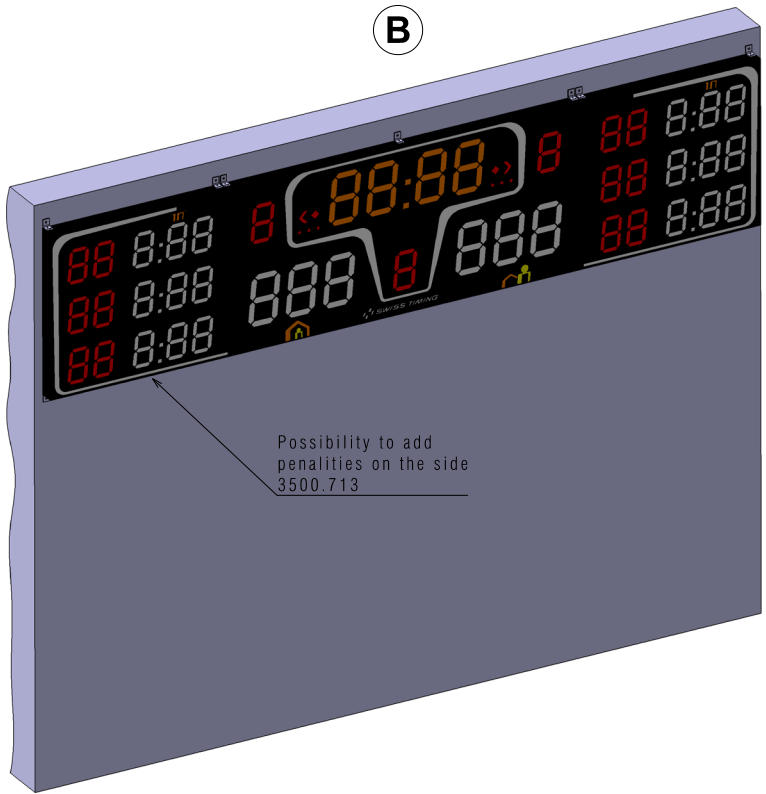


WALL MOUNTING



Main Scoreboard
3500.703



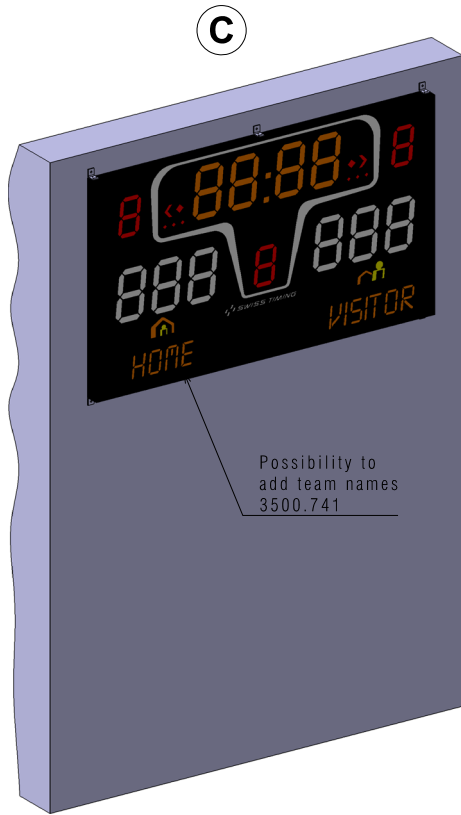
Possibility to add
penalties on the side
3500.713

MAIN SCOREBOARD				
POWER SUPPLY : 1X 115/240VAC / 50-60Hz / 300VA				
NUMBER OF CHARACTER	LEGIBILITY IN METERS	SIZES (H X L X P)	Displ. WEIGHT (kg)	OUTDOOR IP54
10 digits 30cm 3 digits 23cm	UP TO 150m	1050x2300x90	55	

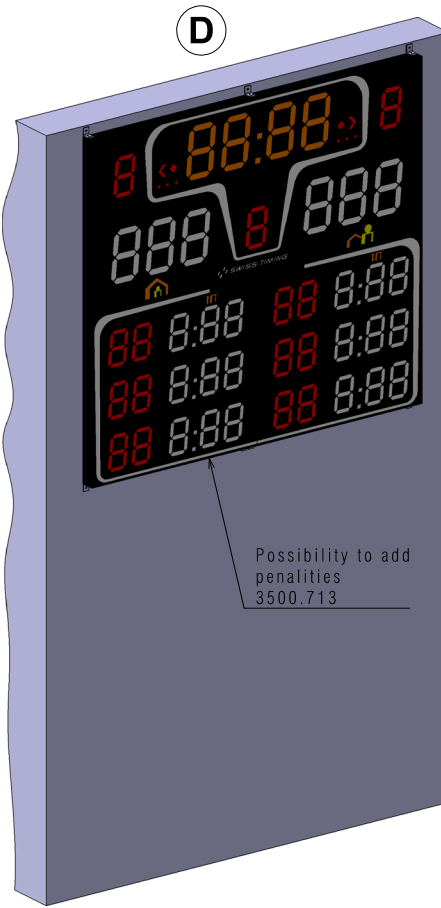
PENALTIES				
POWER SUPPLY : 1X 115/240VAC / 50-60Hz / 300VA				
NUMBER OF CHARACTER	LEGIBILITY IN METERS	SIZES (H X L X P)	Displ. WEIGHT (kg)	OUTDOOR IP54
30 digits 20cm	UP TO 150m	(2x) 1050x1150x90	(2x) 55	

Scale 1:20	Drawn by FRULUD	24.07.13	Saturn 2 Fixing possibility scoreboard Saturn 2
Material	Checked by HOEPAS	24.07.13	
	Modified by FRULUD	09.07.14	
Gen. tol. ISO 2768-m	File number		
			3500.502 A
			Page 1/14

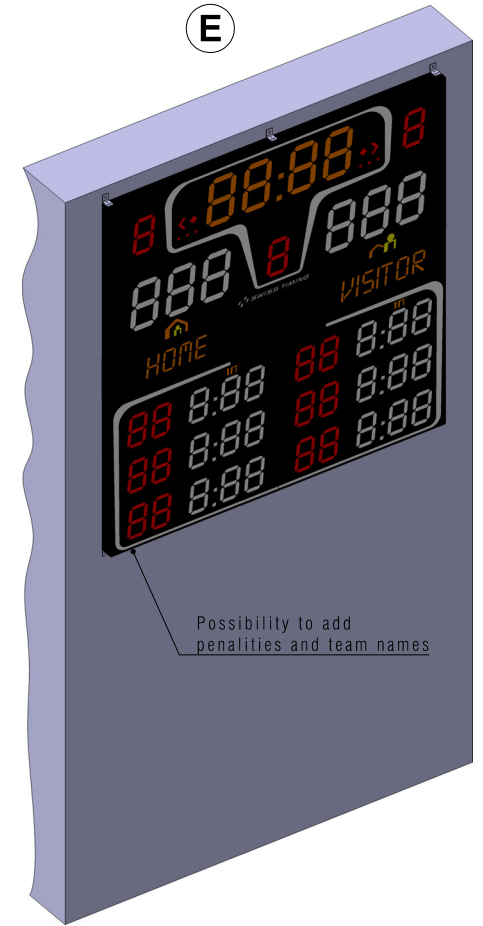
WALL MOUNTING



Possibility to add team names
3500.741



Possibility to add penalties
3500.713




Possibility to add penalties and team names

TEAM NAMES




POWER SUPPLY : 1X 115/240VAC / 50-60Hz / 300VA


NUMBER OF CHARACTER	LEGIBILITY IN METERS	SIZES (H X L X P)	Displ. WEIGHT (kg)	
17 digits 20cm	UP TO 150m	300x2300x90	16	OUTDOOR IP54

PENALTIES



POWER SUPPLY : 1X 115/240VAC / 50-60Hz / 300VA

NUMBER OF CHARACTER	LEGIBILITY IN METERS	SIZES (H X L X P)	Displ. WEIGHT (kg)	
30 digits 20cm	UP TO 150m	(2x) 1050x1150x90	(2x) 55	OUTDOOR IP54

Scale 1:20	Drawn by FRULUD	24.07.13	Saturn 2 Fixing possibility scoreboard Saturn 2
Material	Checked by HOEPAS	24.07.13	
	Modified by FRULUD	09.07.14	
Gen. tol. ISO 2768-m	File number 		3500.502 A
			Page 2/14

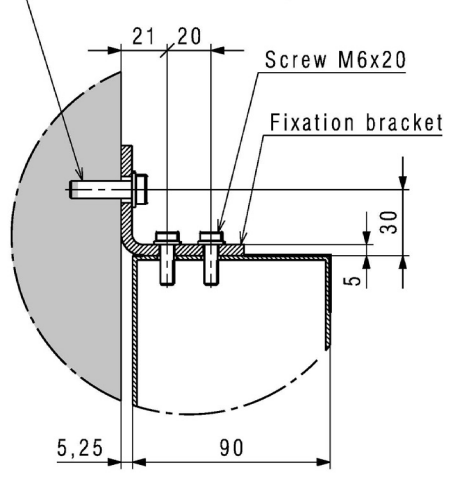
INTELLECTUAL PROPERTY OF SWISS TIMING LTD. All right reserved especially those of reproduction and divulgation to third parties.
 A About possibilities disposition des tableaux
 B
 C Subject to change without notice
 D

WALL MOUNTING METALLIC STRUCTURE

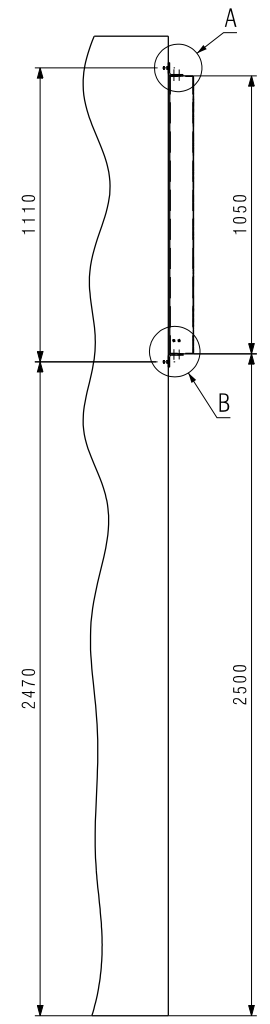
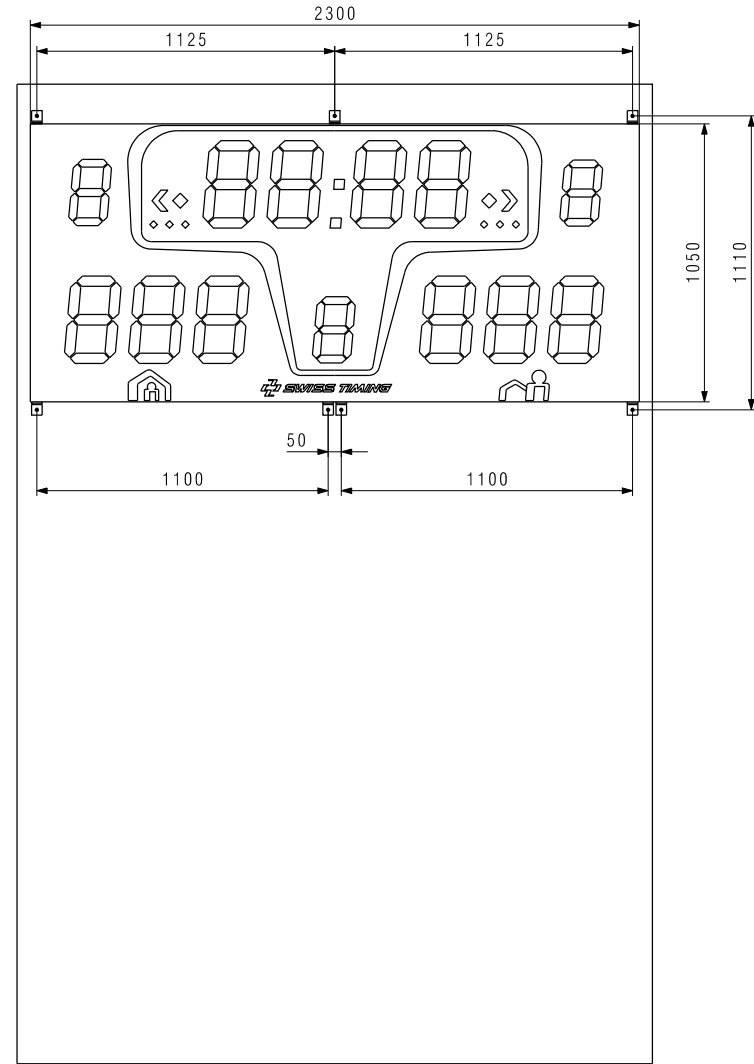
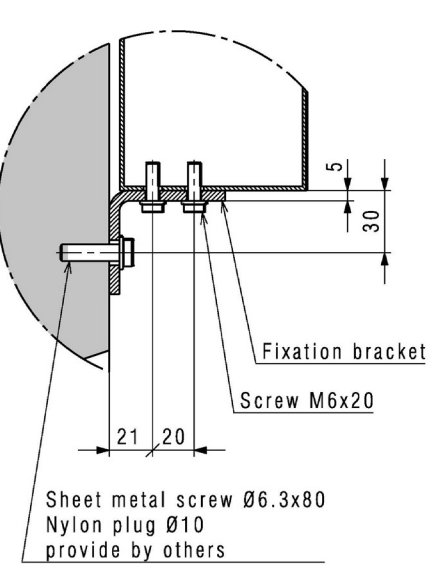
(A)

Détail A

Sheet metal screw Ø6.3
Nylon plug Ø10
provide by others



Détail B



Power : 300 VA
Weight : 55kg

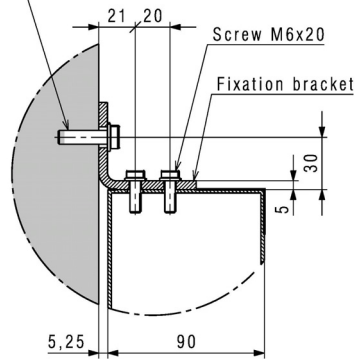
Scale 1:20	Drawn by FRULUD	24.07.13	Saturn 2 Fixing possibility scoreboard Saturn 2
Material	Checked by HOEPAS	24.07.13	
	Modified by FRULUD	09.07.14	
Gen. tol. ISO 2768-m	File number		
			3500.502 A
			Page 3/14

WALL MOUNTING METALLIC STRUCTURE

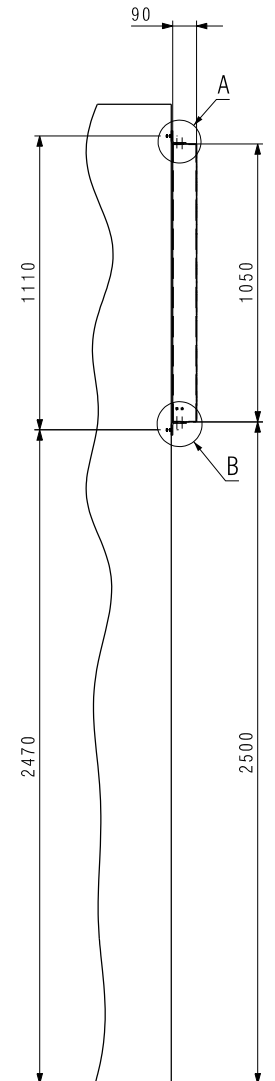
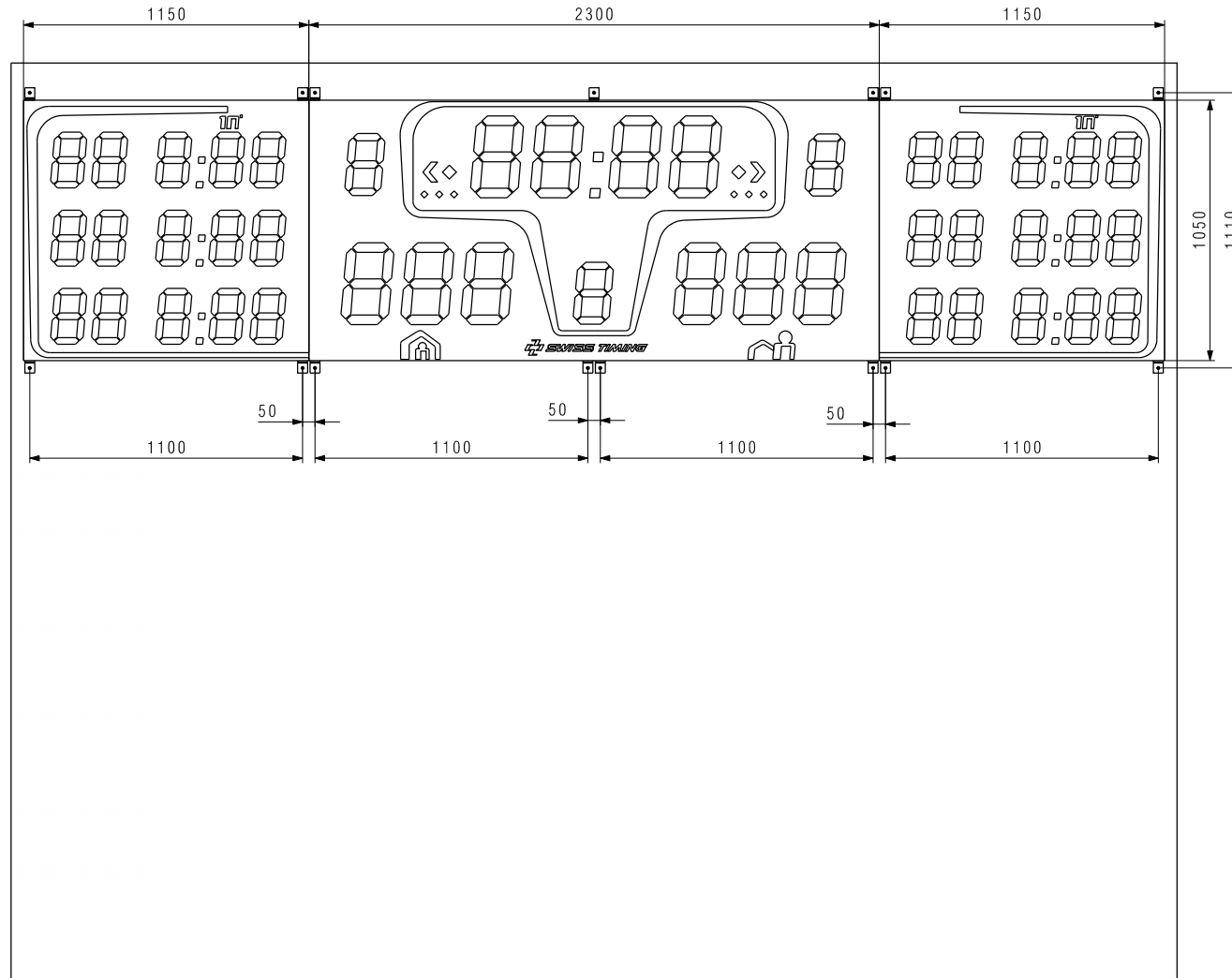
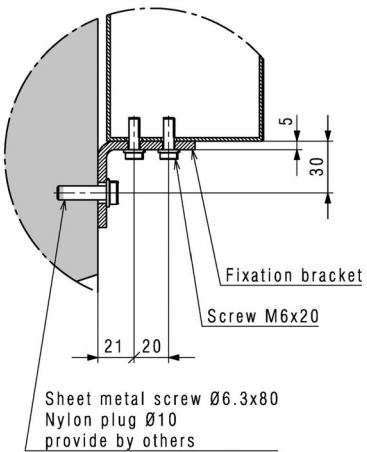
(B)

Détail A

Sheet metal screw Ø6.3
Nylon plug Ø10
provide by others



Détail B



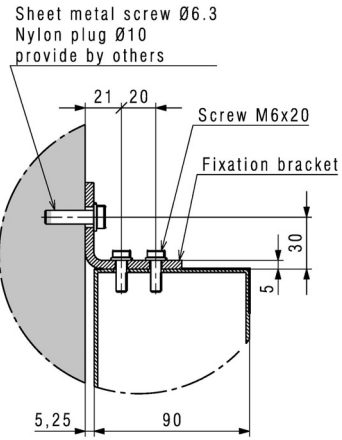
Power total : 600 VA
Weight total : 110kg

Scale 1:20	Drawn by FRULUD	24.07.13	Saturn 2 Fixing possibility scoreboard Saturn 2
Material	Checked by HOEPAS	24.07.13	
	Modified by FRULUD	09.07.14	
Gen. tol. ISO 2768-m	File number	3500.502 A	
			Page 4/14

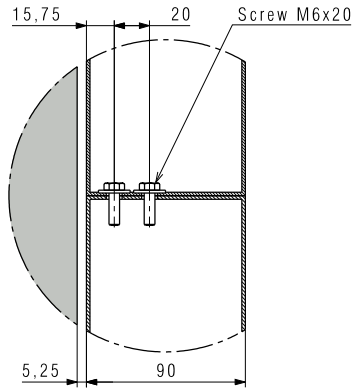
WALL MOUNTING METALLIC STRUCTURE

C

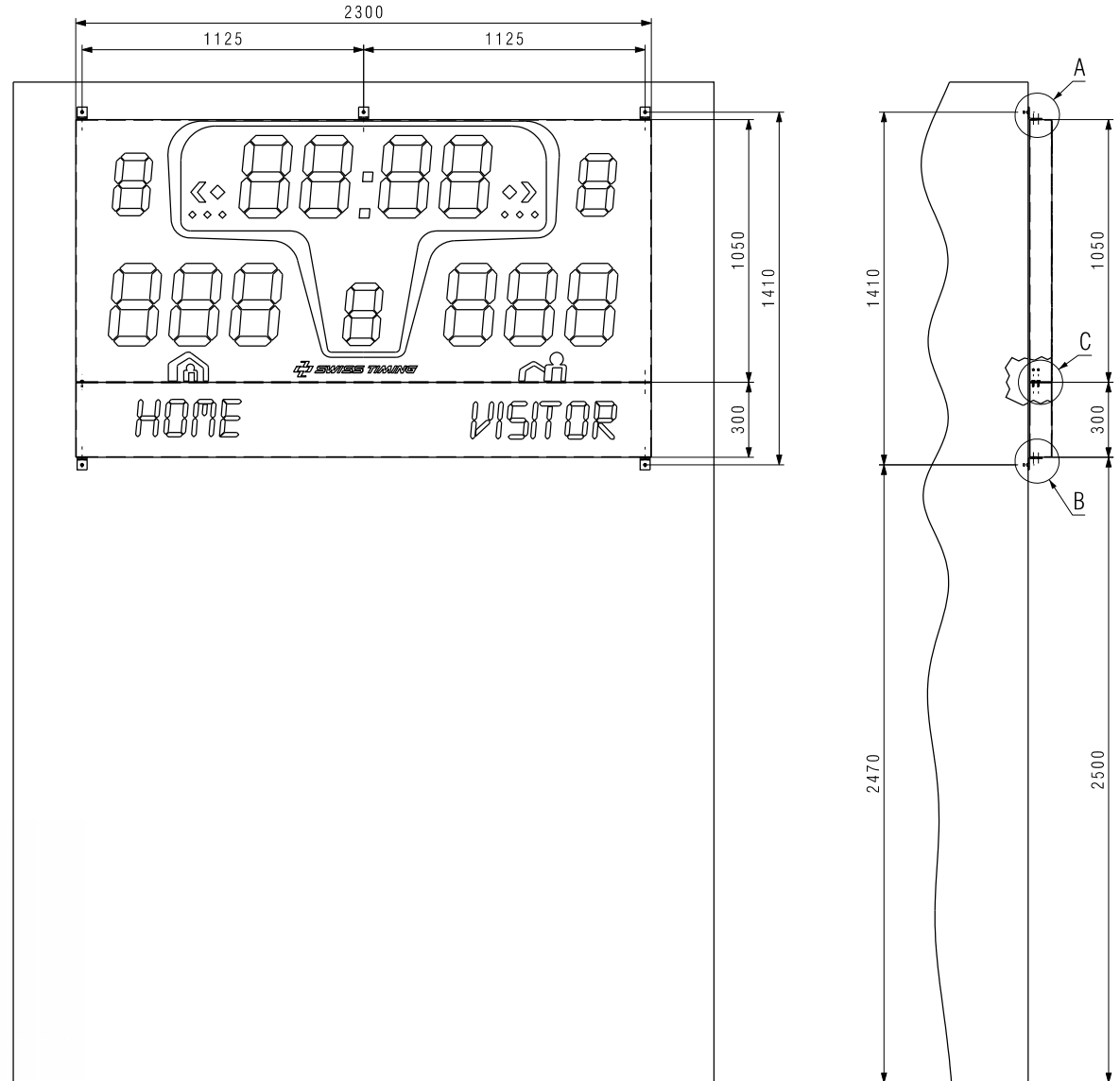
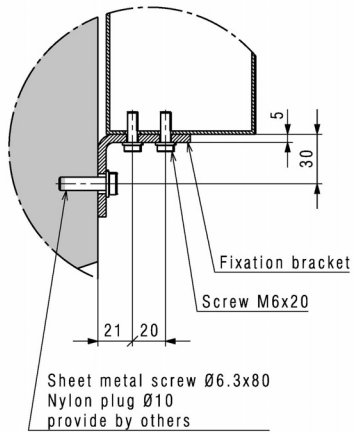
Détail A



Détail C



Détail B



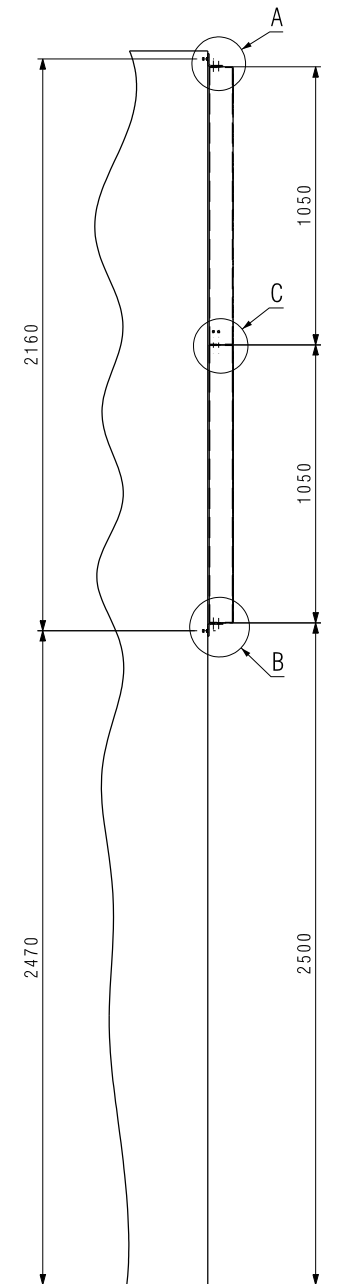
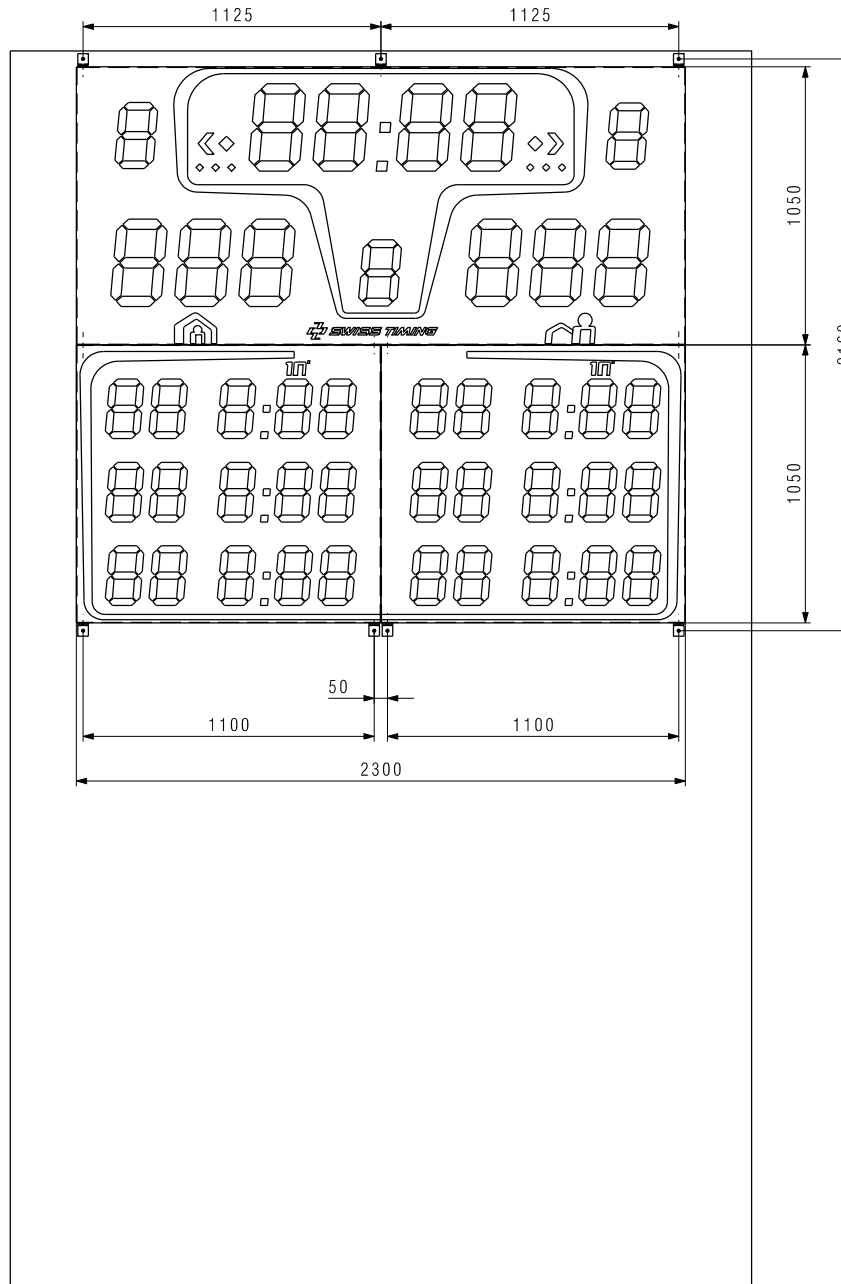
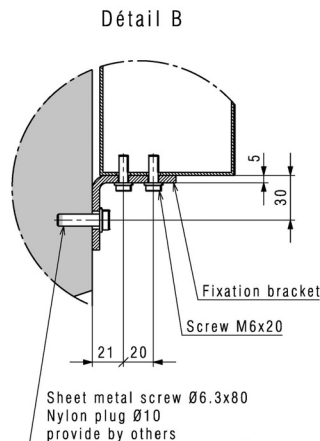
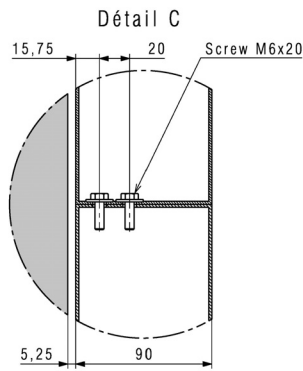
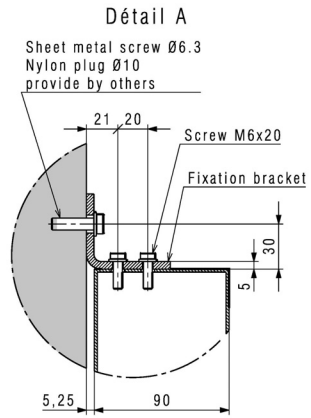
Power total : 600VA
Weight total : 71kg

Scale 1:20	Drawn by FRULUD	24.07.13	Saturn 2 Fixing possibility scoreboard Saturn 2
Material	Checked by HOEPAS	24.07.13	
	Modified by FRULUD	09.07.14	
Gen. tol. ISO 2768-m	File number		
			3500.502 A
			Page 5/14

WALL MOUNTING

METALLIC STRUCTURE

D



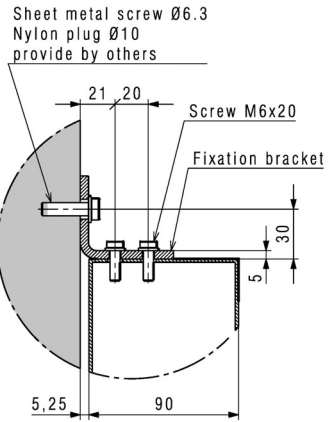
Power total : 600VA
Weight total : 110kg

Scale 1:20	Drawn by FRULUD	24.07.13	Saturn 2 Fixing possibility scoreboard Saturn 2
Material	Checked by HOEPAS	24.07.13	
	Modified by FRULUD	09.07.14	
	File number		
Gen. tol. ISO 2768-m			3500.502 A
			Page 6/14

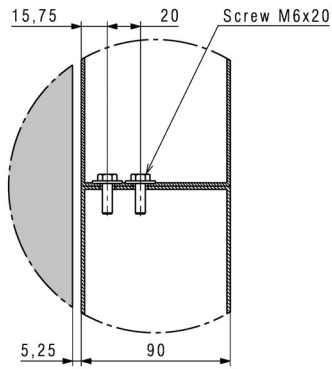
WALL MOUNTING METALLIC STRUCTURE

(E)

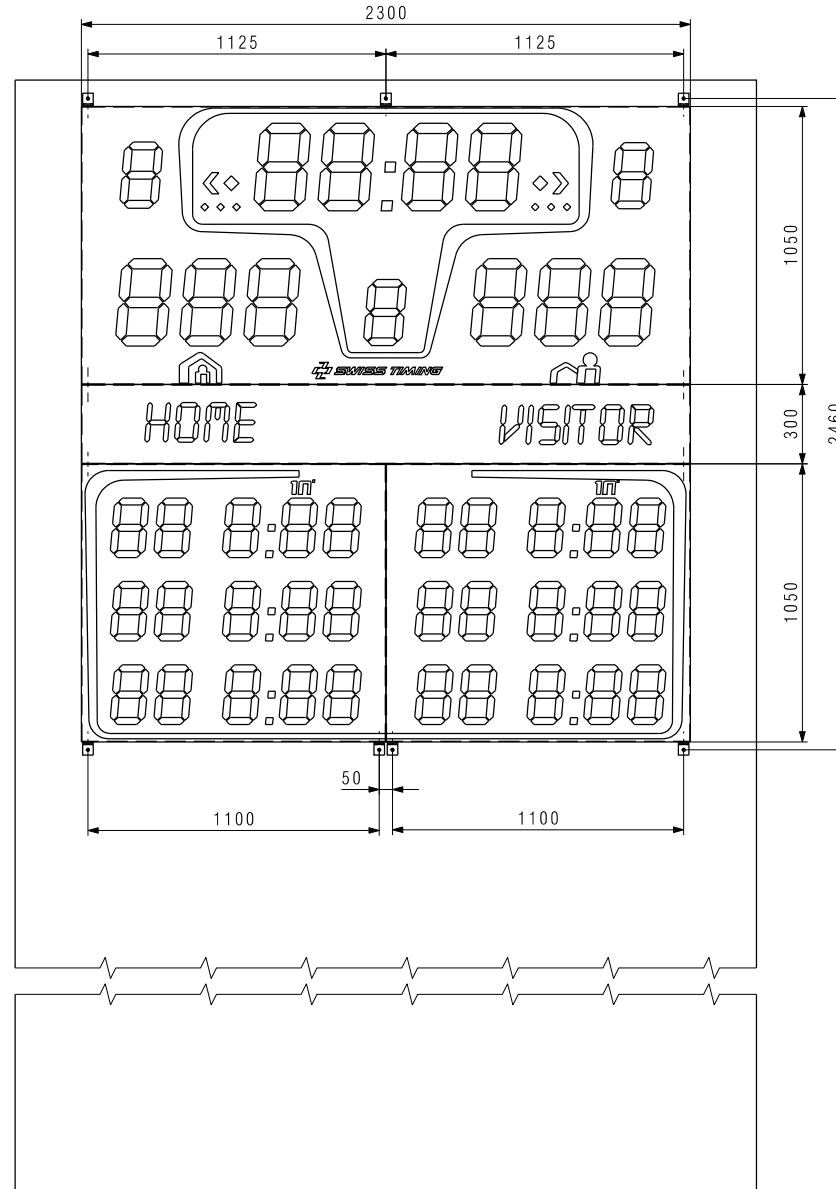
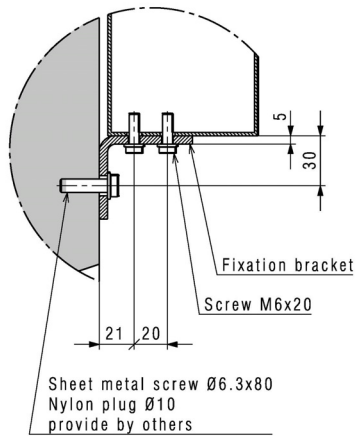
Détail A



Détail C



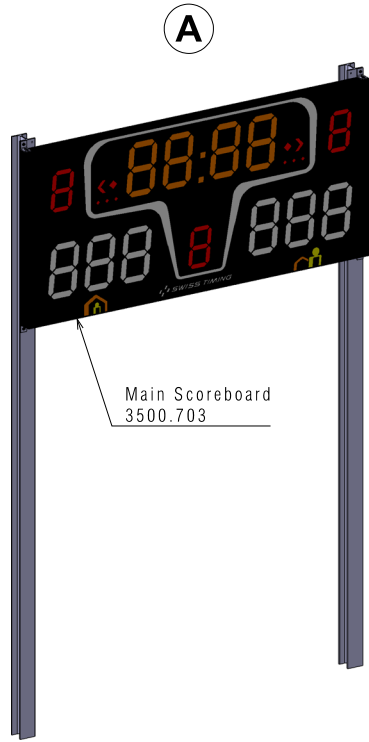
Détail B



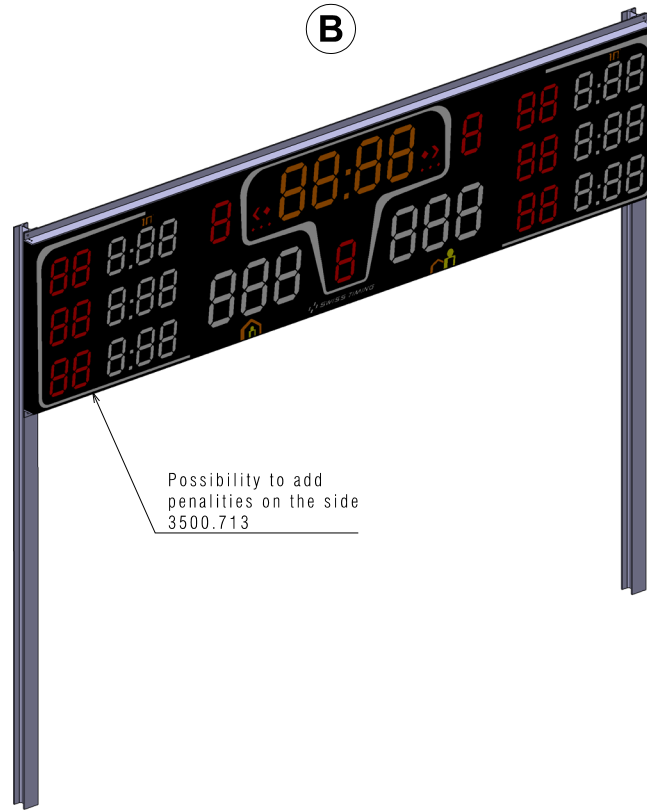
Power total : 900VA
Weight total : 126kg

Scale 1:20	Drawn by FRULUD	24.07.13	Saturn 2 Fixing possibility scoreboard Saturn 2 3500.502 A
Material	Checked by HOEPAS	24.07.13	
	Modified by FRULUD	09.07.14	
	File number		
Gen. tol. ISO 2768-m			Page 7/14

POLE MOUNTING



Main Scoreboard
3500.703



Possibility to add
penalties on the side
3500.713

MAIN SCOREBOARD



POWER SUPPLY : 1X 115/240VAC / 50-60Hz / 300VA

NUMBER OF CHARACTER	LEGIBILITY IN METERS	SIZES (H X L X P)	Displ. WEIGHT (kg)	OUTDOOR IP54
10 digits 30cm 3 digits 23cm	UP TO 150m	1050x2300x90	55	

PENALTIES



POWER SUPPLY : 1X 115/240VAC / 50-60Hz / 300VA

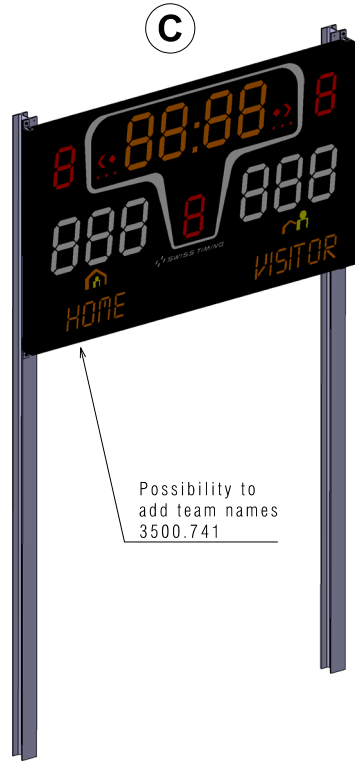
NUMBER OF CHARACTER	LEGIBILITY IN METERS	SIZES (H X L X P)	Displ. WEIGHT (kg)	OUTDOOR IP54
30 digits 20cm	UP TO 150m	(2x) 1050x1150x90	(2x) 55	

Scale 1:20	Drawn by FRULUD	24.07.13
Material	Checked by HOEPAS	24.07.13
	Modified by FRULUD	09.07.14
Gen. tol. ISO 2768-m	File number 	

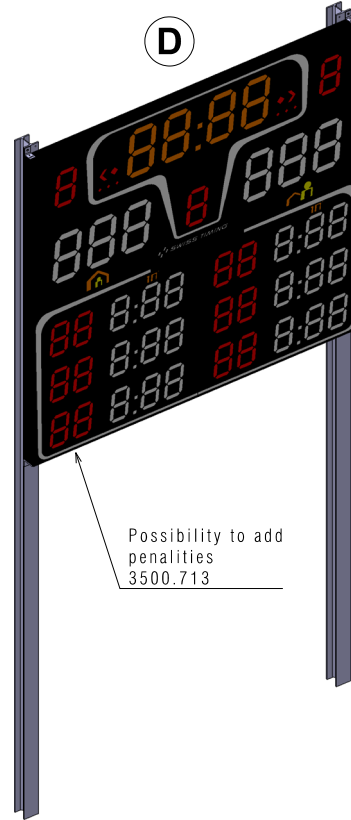
Saturn 2
Fixing possibility scoreboard Saturn 2

3500.502 A

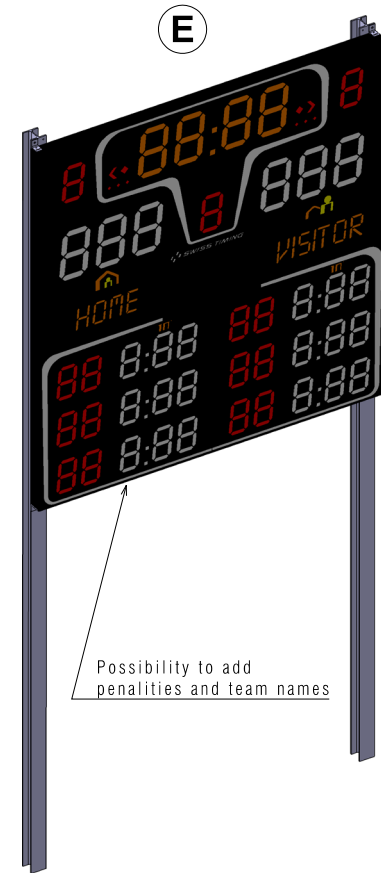
POLE MOUNTING



Possibility to add team names
3500.741



Possibility to add penalties
3500.713




Possibility to add penalties and team names

TEAM NAMES




POWER SUPPLY : 1X 115/240VAC / 50-60Hz / 300VA


NUMBER OF CHARACTER	LEGIBILITY IN METERS	SIZES (H X L X P)	Displ. WEIGHT (kg)	 OUTDOOR IP54
17 digits 20cm	UP TO 150m	300x2300x90	16	

PENALTIES

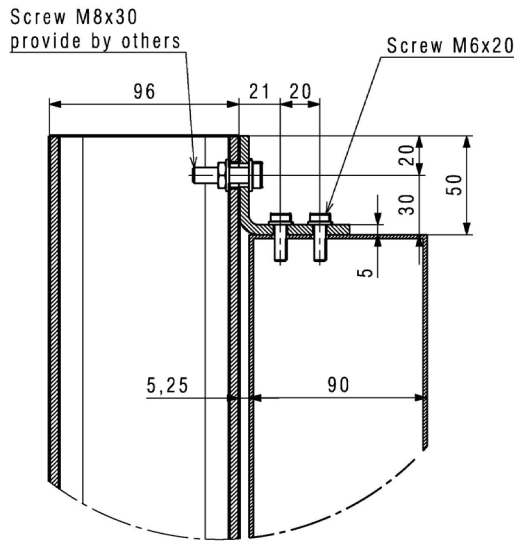


POWER SUPPLY : 1X 115/240VAC / 50-60Hz / 300VA

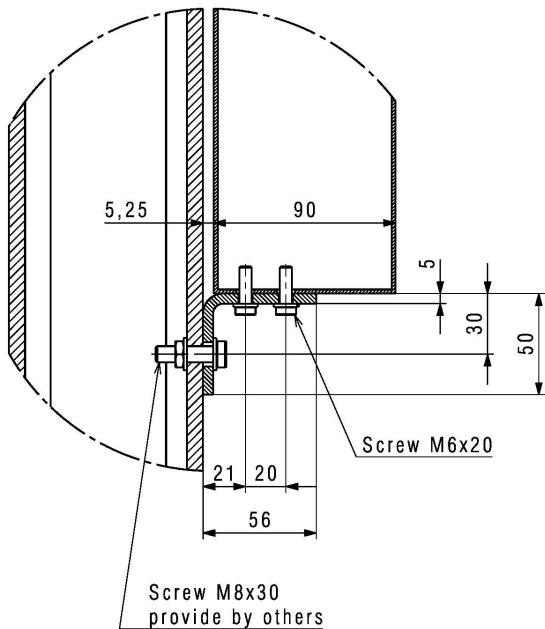
NUMBER OF CHARACTER	LEGIBILITY IN METERS	SIZES (H X L X P)	Displ. WEIGHT (kg)	 OUTDOOR IP54
30 digits 20cm	UP TO 150m	(2x) 1050x1150x90	(2x) 55	

Scale 1:20	Drawn by FRULUD	24.07.13	Saturn 2 Fixing possibility scoreboard Saturn 2
Material	Checked by HOEPAS	24.07.13	
	Modified by FRULUD	09.07.14	
Gen. tol. ISO 2768-m			3500.502 A
			Page 9/14

Détail A

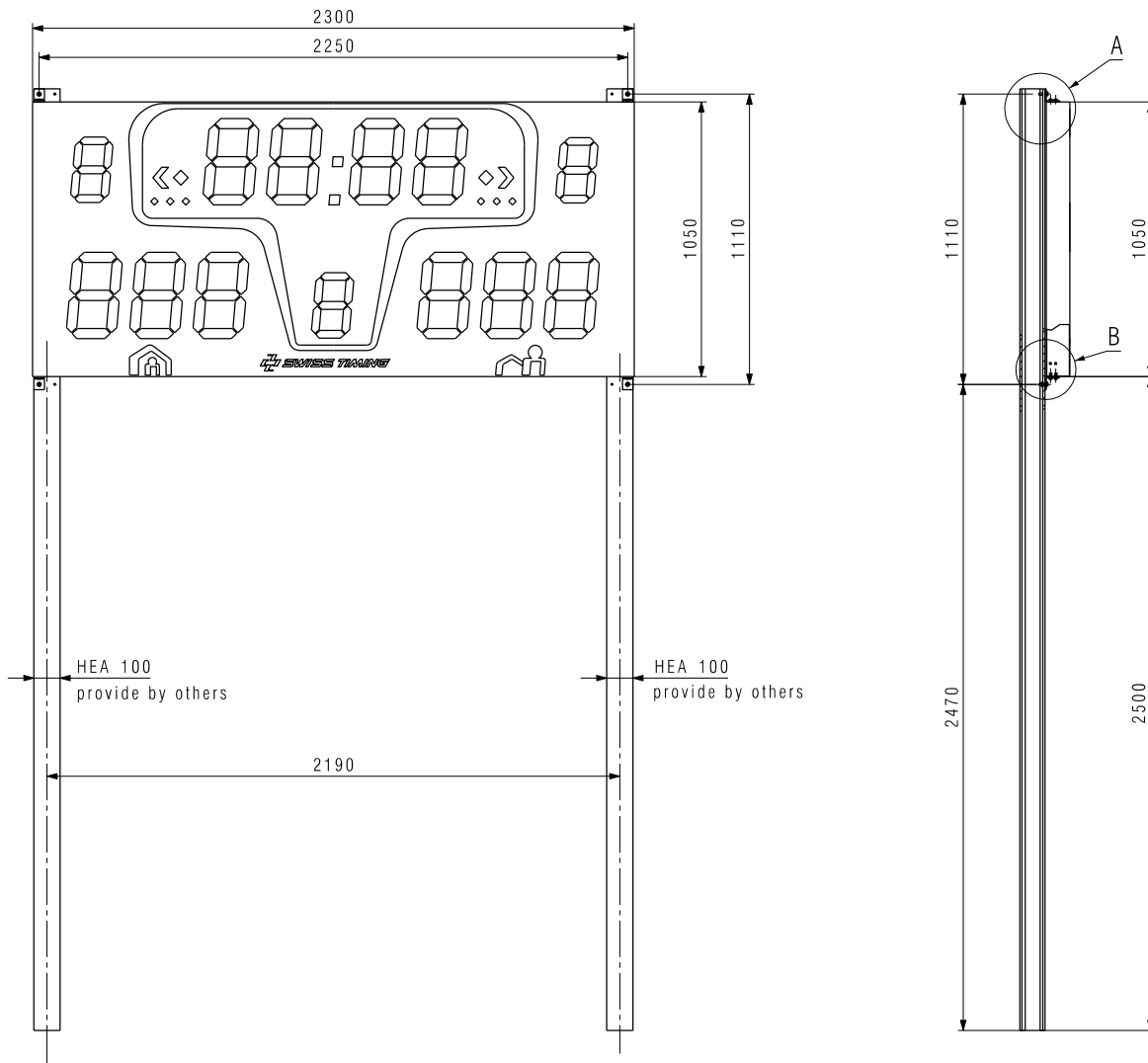


Détail B



POLE MOUNTING METALLIC STRUCTURE

(A)

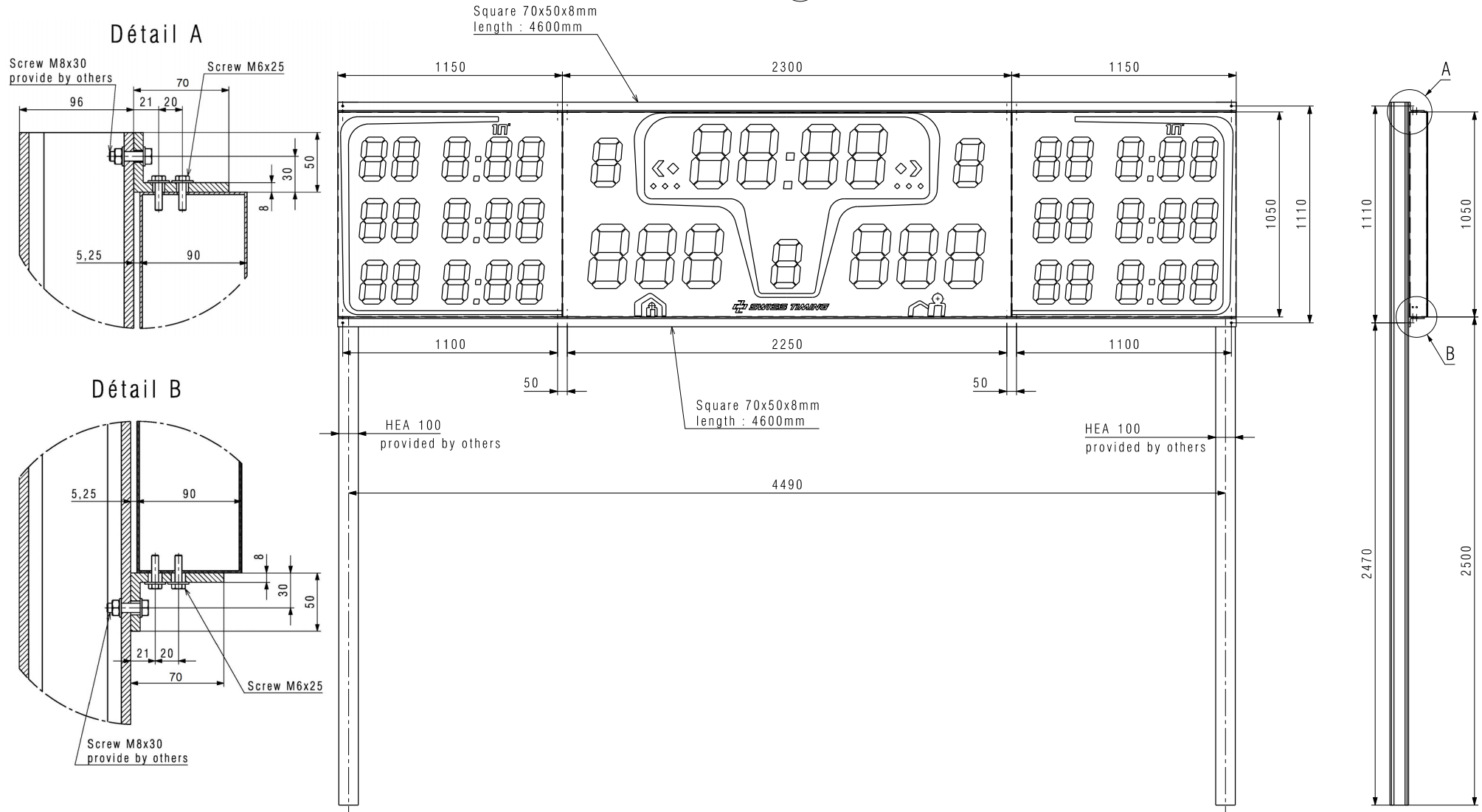


Power : 300 VA
Weight : 55kg

Scale 1:20	Drawn by FRULUD	24.07.13	Saturn 2 Fixing possibility scoreboard Saturn 2
Material	Checked by HOEPAS	24.07.13	
	Modified by FRULUD	09.07.14	
Gen. tol. ISO 2768-m	File number		
			3500.502 A
			Page 10/14

POLE MOUNTING METALLIC STRUCTURE

(B)

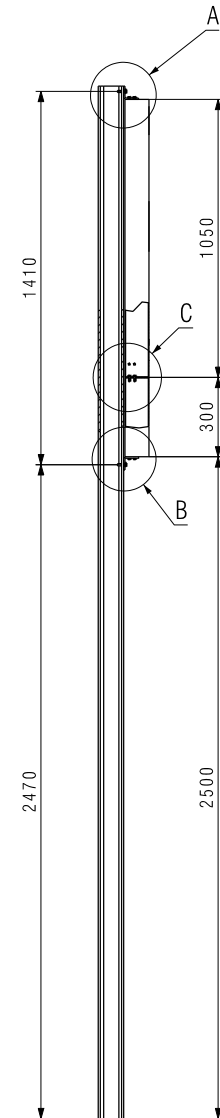
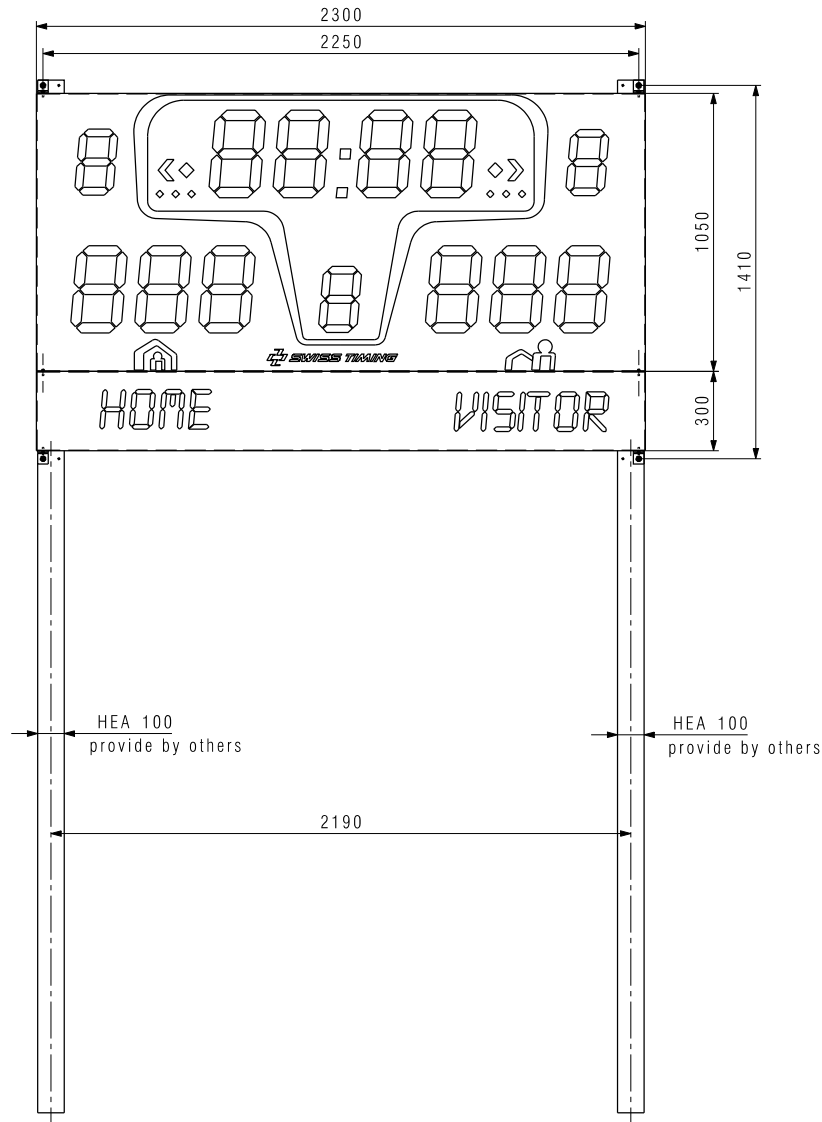
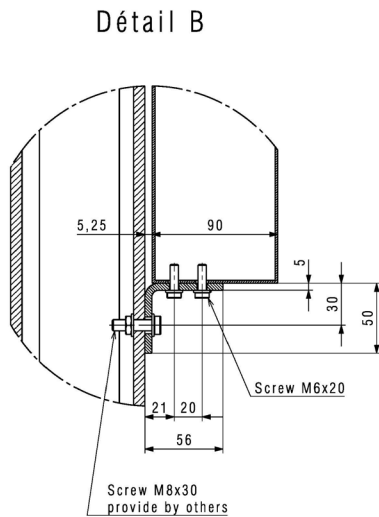
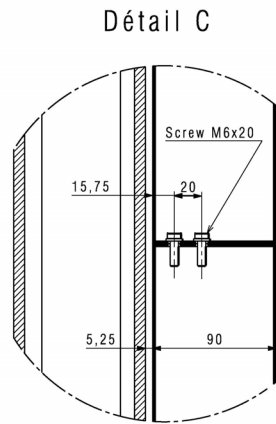
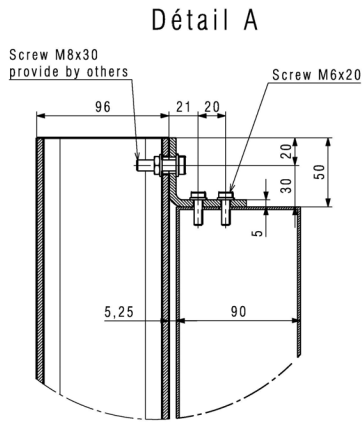


Power total : 600 VA
Weight total : 110kg

Scale 1:20	Drawn by FRULUD	24.07.13	Saturn 2 Fixing possibility scoreboard Saturn 2
Material	Checked by HOEPAS	24.07.13	
	Modified by FRULUD	09.07.14	
Gen. tol. ISO 2768-m	File number		
			3500.502 A
			Page 11/14

POLE MOUNTING METALLIC STRUCTURE

(C)

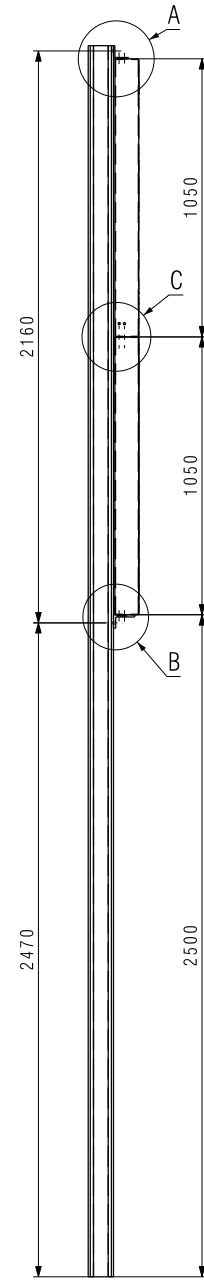
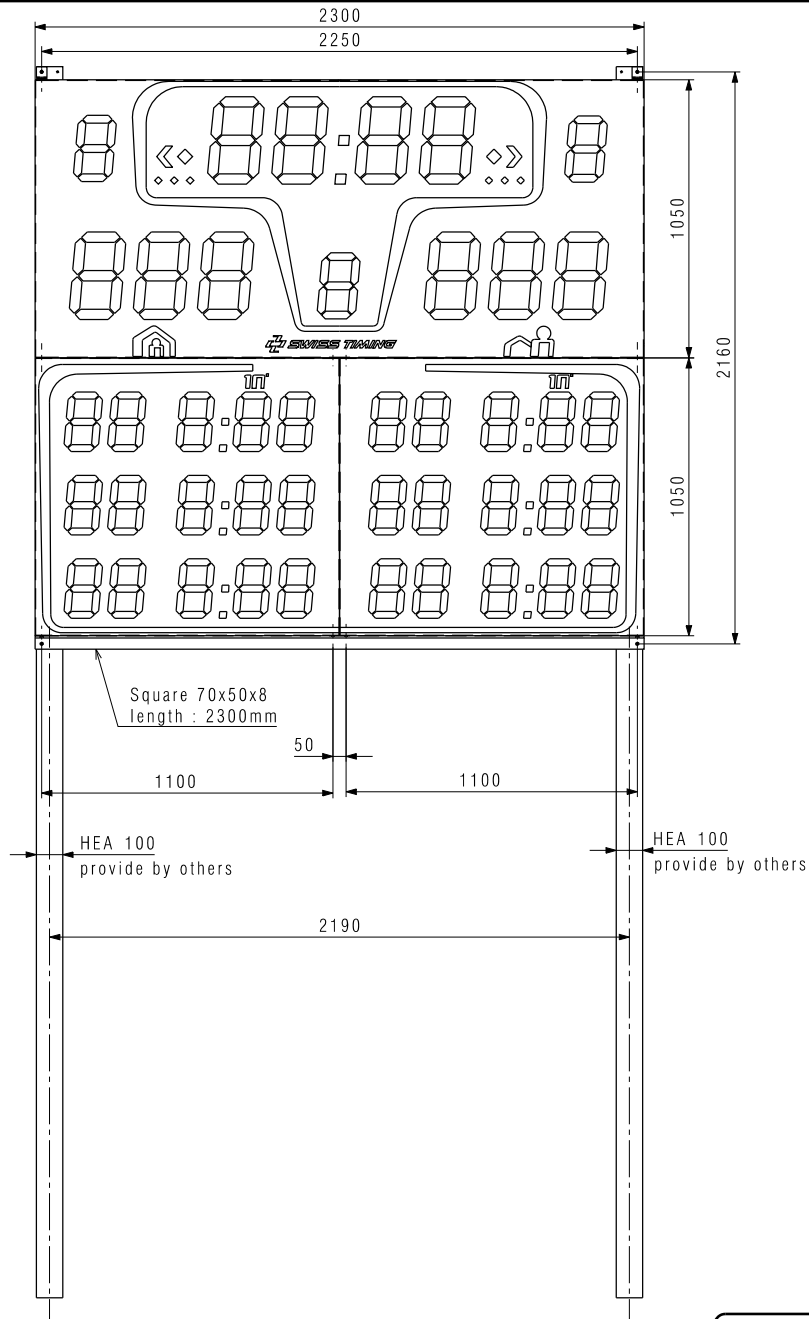
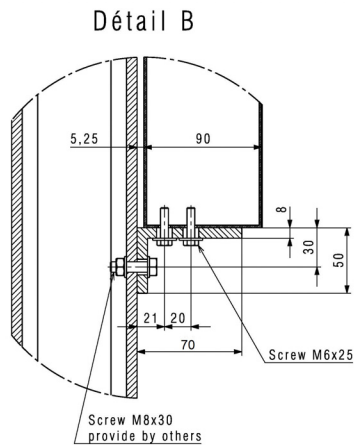
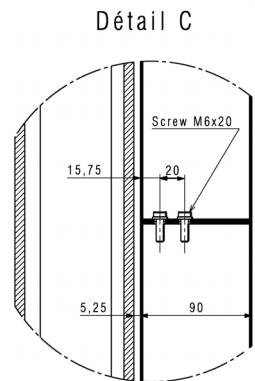
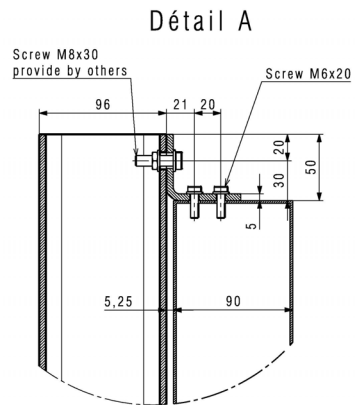


Power total : 600VA
Weight total : 71kg

Scale 1:20	Drawn by FRULUD	24.07.13	Saturn 2 Fixing possibility scoreboard Saturn 2 3500.502 A
Material	Checked by HOEPAS	24.07.13	
	Modified by FRULUD	09.07.14	
	File number		
Gen. tol. ISO 2768-m			Page 12/14

POLE MOUNTING METALLIC STRUCTURE

D

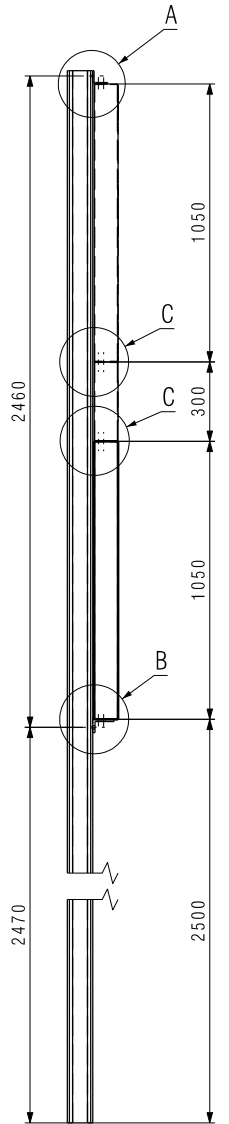
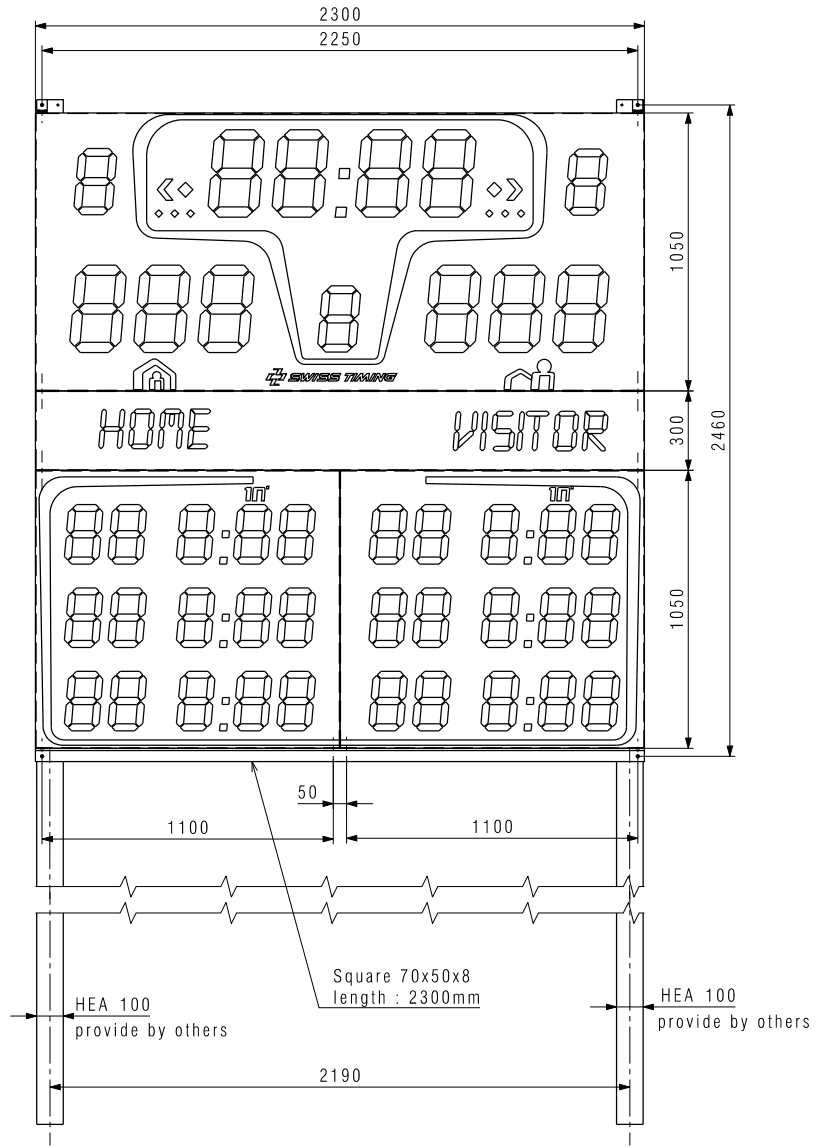
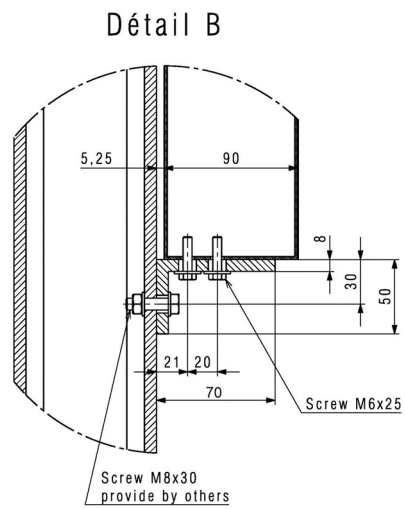
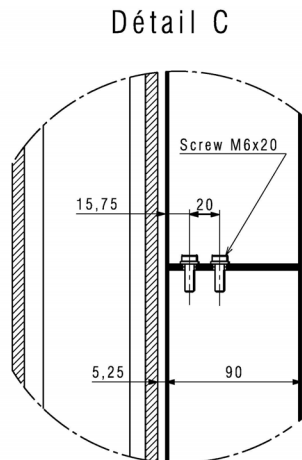
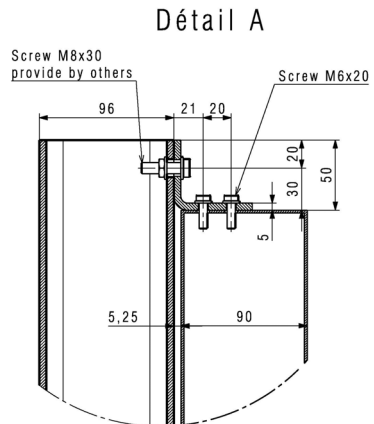


Power total : 600VA
Weight total : 110kg

Scale 1:20	Drawn by FRULUD	24.07.13	Saturn 2 Fixing possibility scoreboard Saturn 2
Material	Checked by HOEPAS	24.07.13	
	Modified by FRULUD	09.07.14	
	File number		
Gen. tol. ISO 2768-m			3500.502 A
			Page 13/14

POLE MOUNTING METALLIC STRUCTURE

(E)



Power total : 900VA
Weight total : 126kg

Scale 1:20	Drawn by FRULUD	24.07.13	Saturn 2 Fixing possibility scoreboard Saturn 2 3500.502 A
Material	Checked by HOEPAS	24.07.13	
	Modified by FRULUD	09.07.14	
	File number		
Gen. tol. ISO 2768-m			Page 14/14